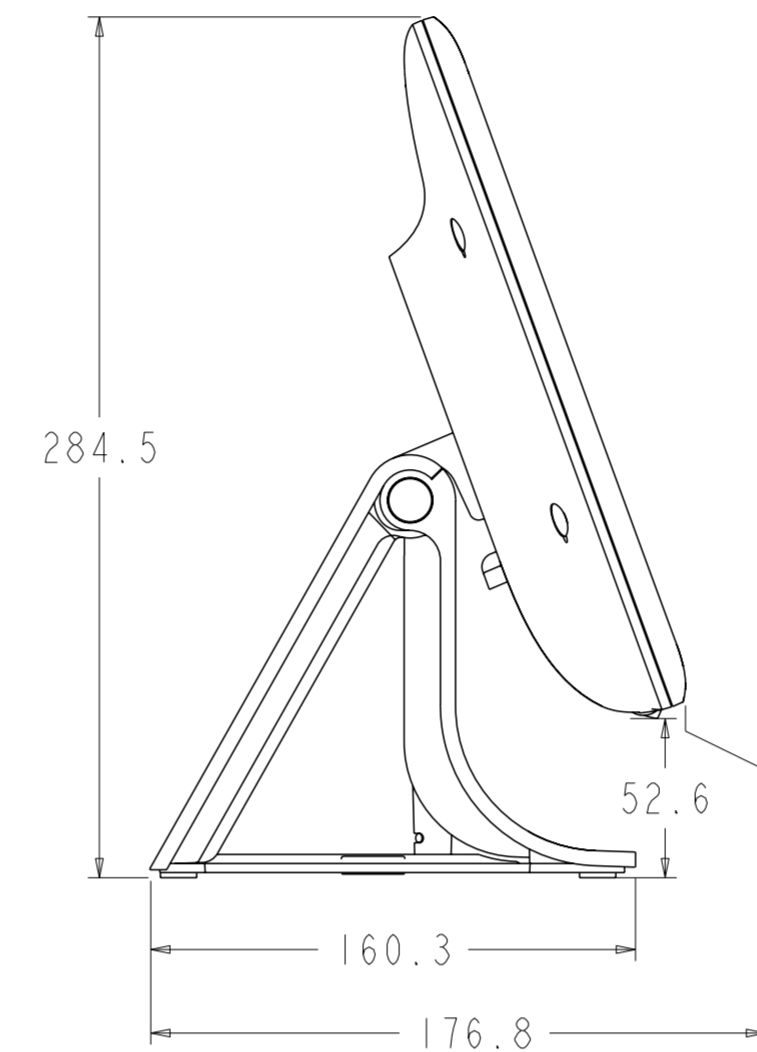
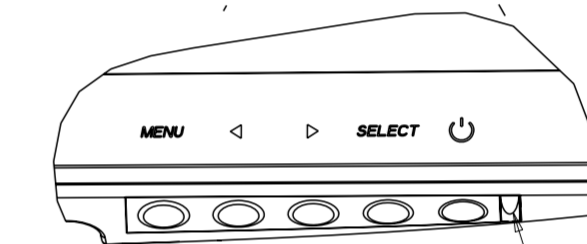
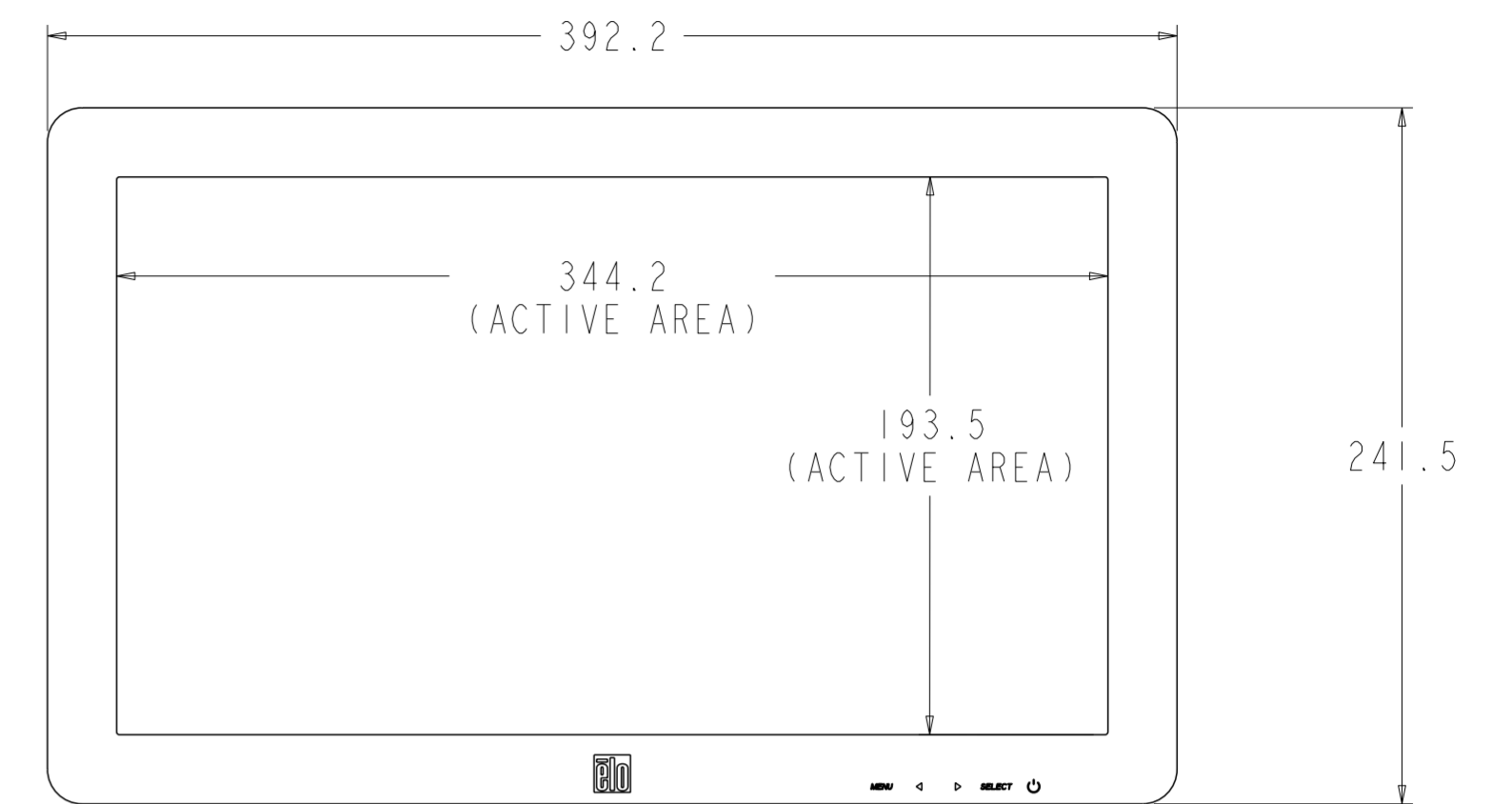


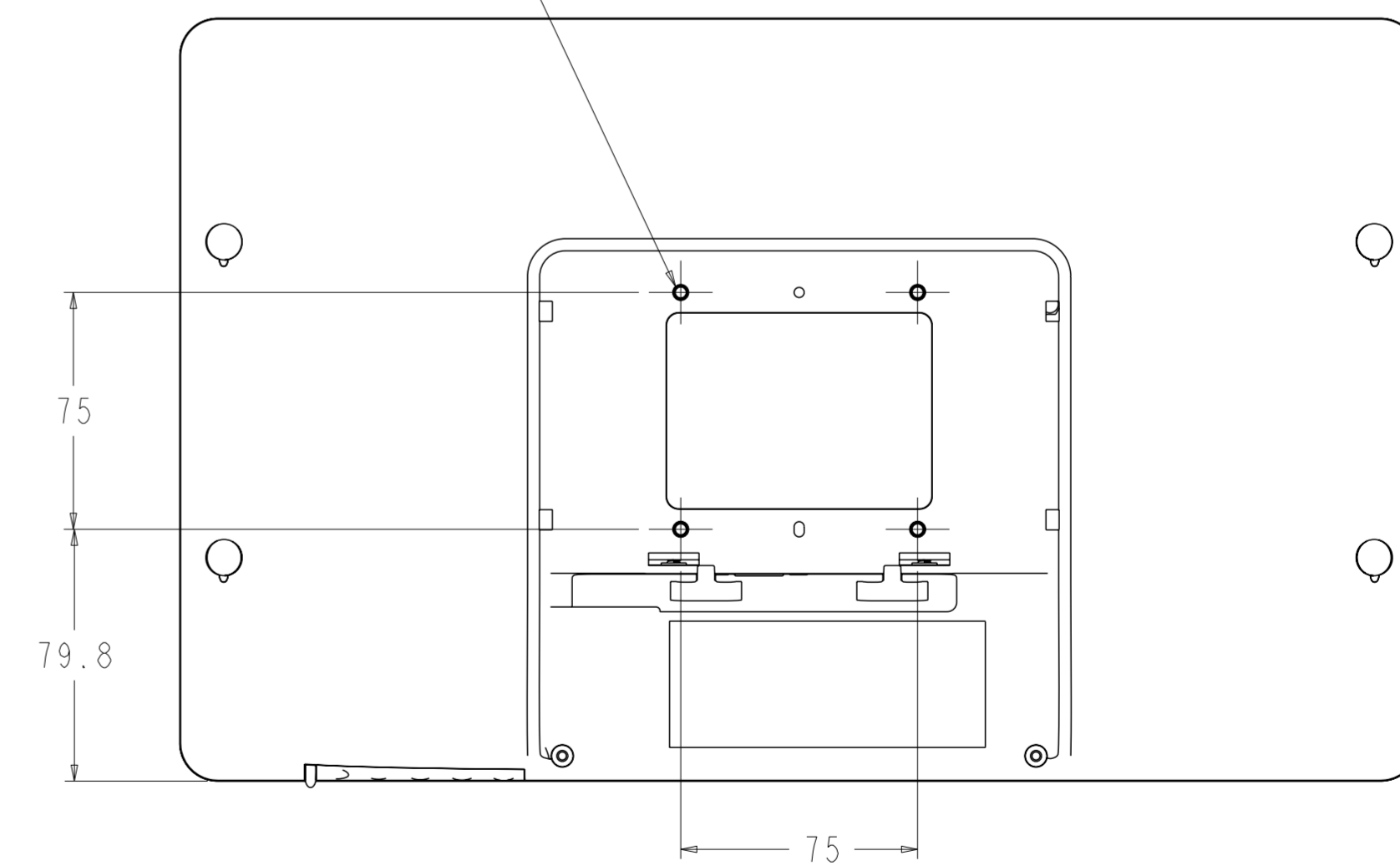
TILT 70° FROM VERT.



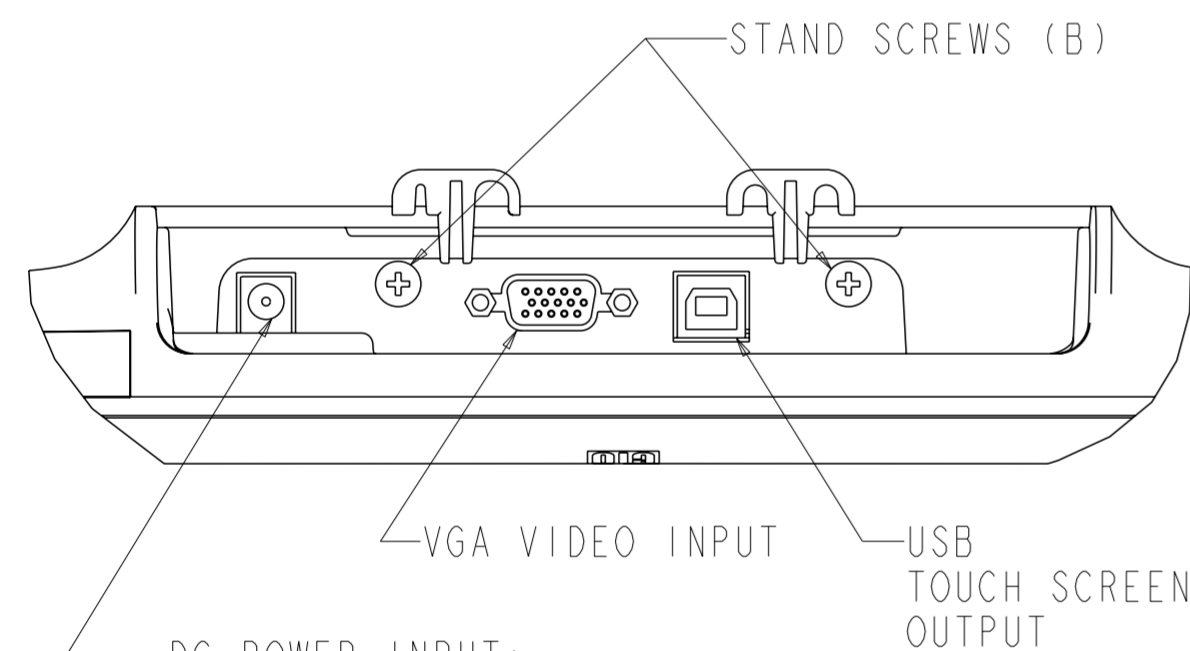
TILT 20° FROM VERT.



M4 THREAD,  
MAX. SCREW LENGTH  
7mm FROM MOUNTING  
SURFACE, X4



TO REMOVE STAND,  
REMOVE STAND SCREWS (A) AND (B)  
SHOWN IN LEFT VIEWS.



DC POWER INPUT:  
BARREL ID = 6.4mm  
PIN OD = 2.0mm  
BARREL DEPTH = 8.8mm  
INPUT VOLTAGE = 12V DC ±5%

STAND MOUNT OPTION

